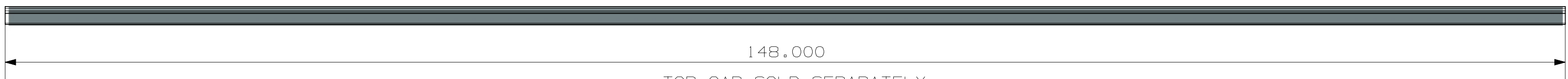
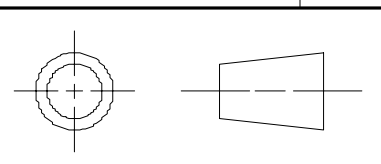
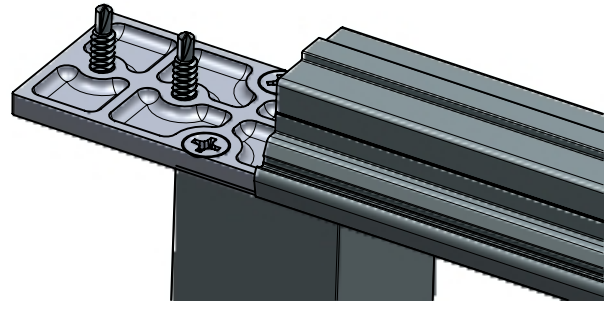
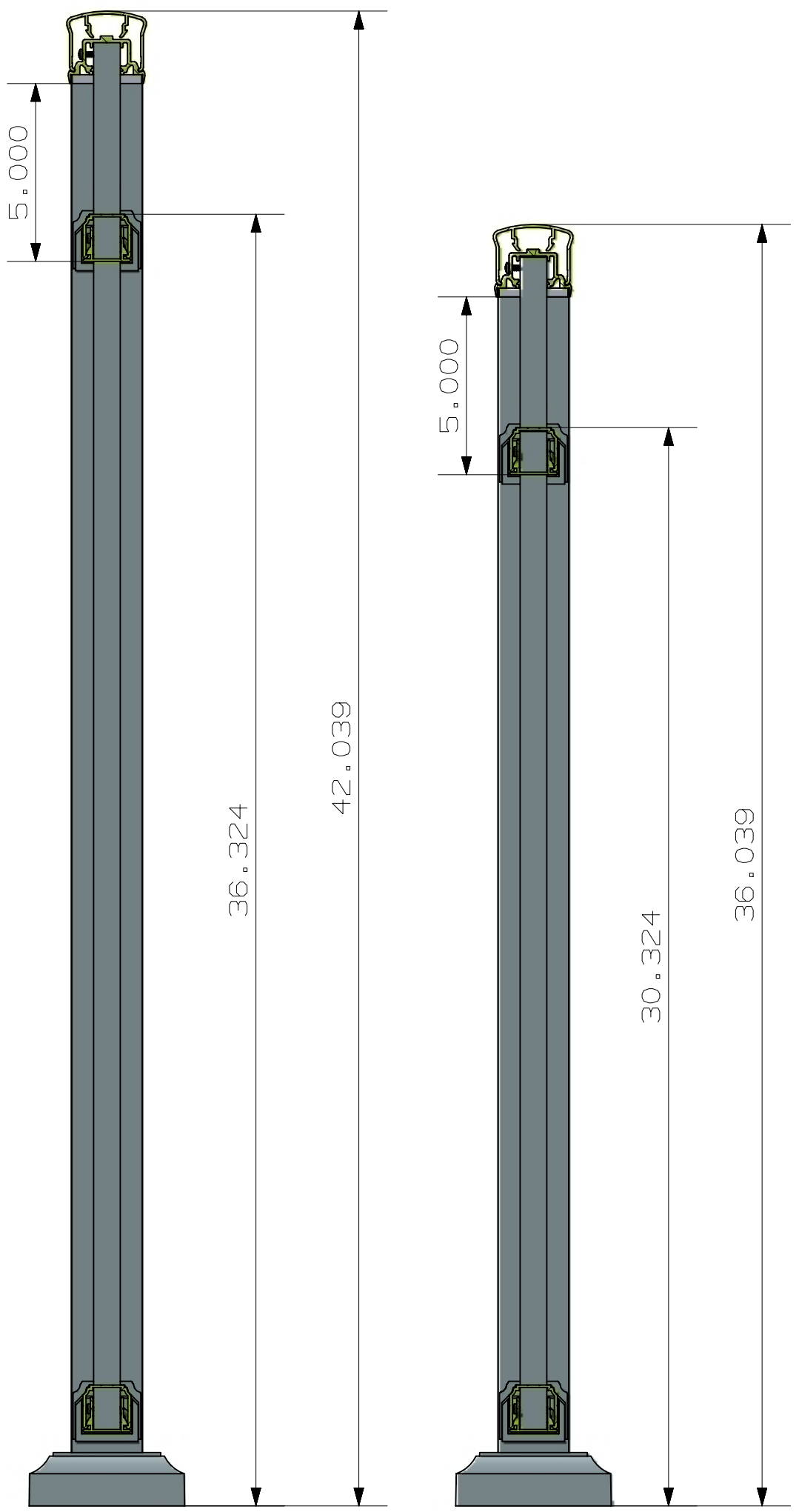


3D CAD MASTER PART NAME:

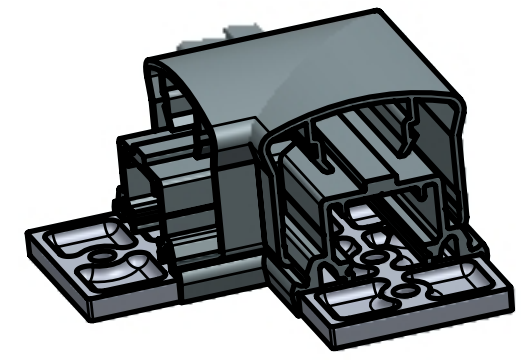
		ULTRA ALUMINUM MANUFACTURING, INC. 2124 GRAND COMMERCE DR. HOWELL, MI 48855 PHONE (800) 656-4420	
FIRST ISSUED		TITLE CONTINUOUS RAILING	
DRAWN BY		FRANKLIN TOP CAP	
CHECKED BY		UARC-F220XX-XXXX-3RLS	
APPROVED BY		REV 1 3-14-2018	
		SIZE DRG NO.	REV
		C	UARC-F220XX-XXXX-3RLS <input checked="" type="checkbox"/>
		SCALE 1:1	SHEET 1 OF 2



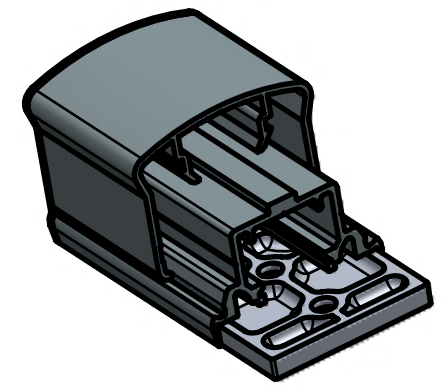
TOP CAP SOLD SEPARATELY  
SOLD IN 12' 4" AND 24' 8" LENGTHS



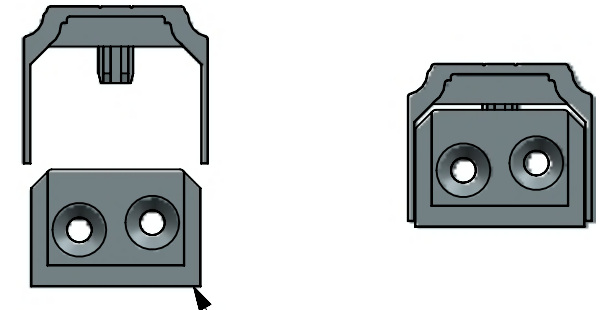
CONTINUOUS LINE PLATE



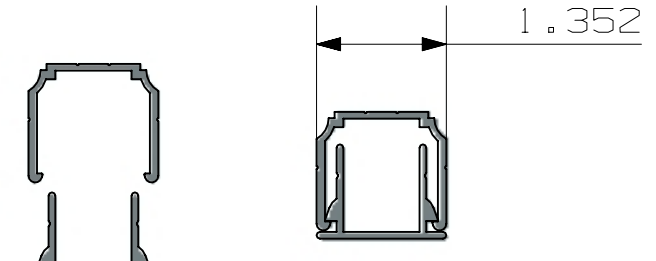
CONTINUOUS 90° PLATE  
CONTINUOUS 90° CAP



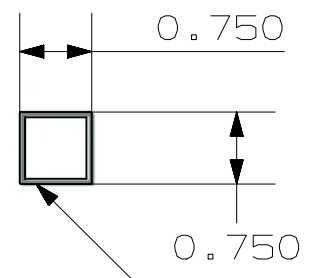
CONTINUOUS END PLATE  
CONTINUOUS ENDCAP



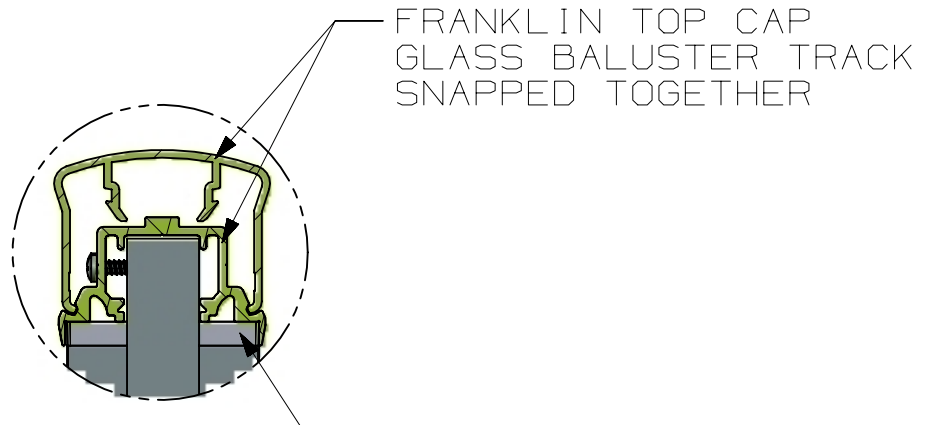
STD 2PC RAIL BRACKET



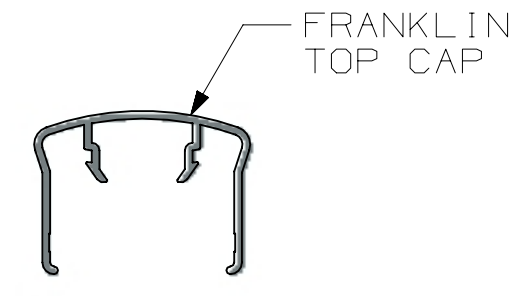
2 PC BOTTOM/MID RAIL



BALUSTER  
.055" WALL



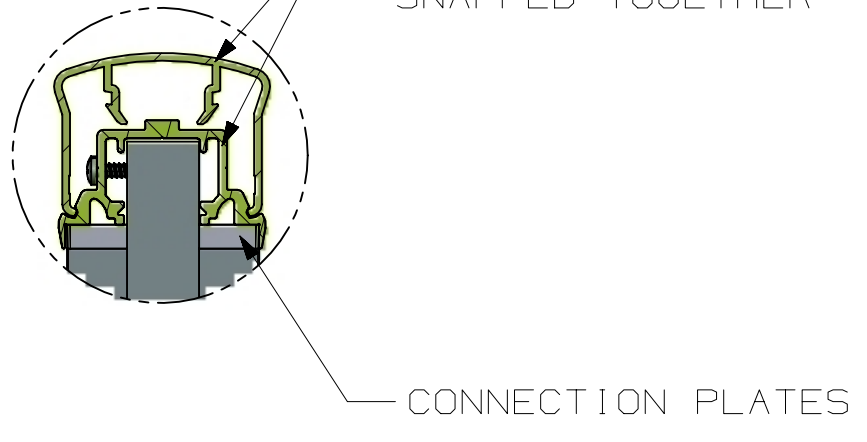
FRANKLIN TOP CAP  
GLASS BALUSTER TRACK  
SNAPPED TOGETHER



FRANKLIN  
TOP CAP



GLASS BALUSTER  
TRACK



CONNECTION PLATES

PANEL SIZE	TOP RAIL LENGTH	BOTTOM RAIL LENGTH	FULL SIZE PICKET LENGTH	NUMBER OF FULL SIZE PICKETS	SHORT PICKET LENGTH	NUMBER OF SHORT SIZE PICKETS
36" X 4'	50 3/16"	47 11/16"	33"	5	27 13/16"	5
36" X 5'	63 9/16"	61 1/16"	33"	6	27 13/16"	7
36" X 6'	72 1/2"	70"	33"	7	27 13/16"	8
42" X 4'	50 3/16"	47 11/16"	39"	5	33 13/16"	5
42" X 5'	63 9/16"	61 1/16"	39"	6	33 13/16"	7
42" X 6'	72 1/2"	70"	39"	7	33 13/16"	8



ULTRA ALUMINUM MANUFACTURING, INC.  
2124 GRAND COMMERCE DR. HOWELL, MI 48855  
PHONE (800) 656-4420

FIRST ISSUED	
DRAWN BY	
CHECKED BY	
APPROVED BY	

TITLE	CONTINUOUS RAILING FRANKLIN TOP CAP UARC-F220XX-XXXX-3RLS REV 1 3-14-2018	
SIZE/DRG NO.	C	UARC-F220XX-XXXX-3RLS
SCALE	1:1	SHEET 2 OF 2