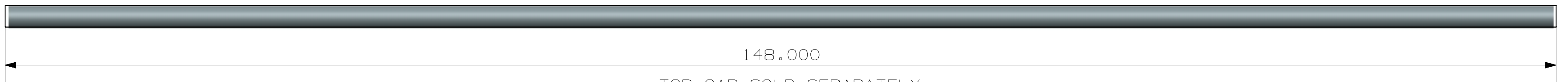
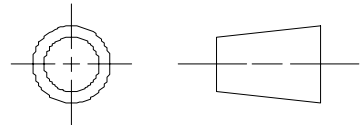
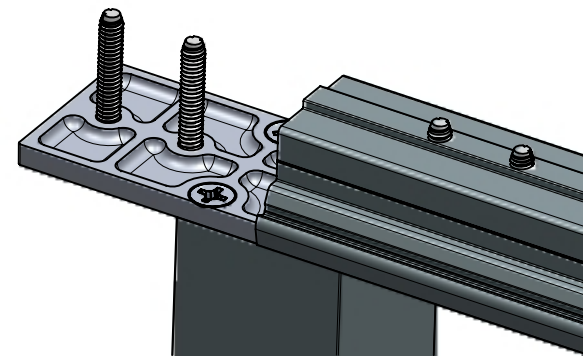
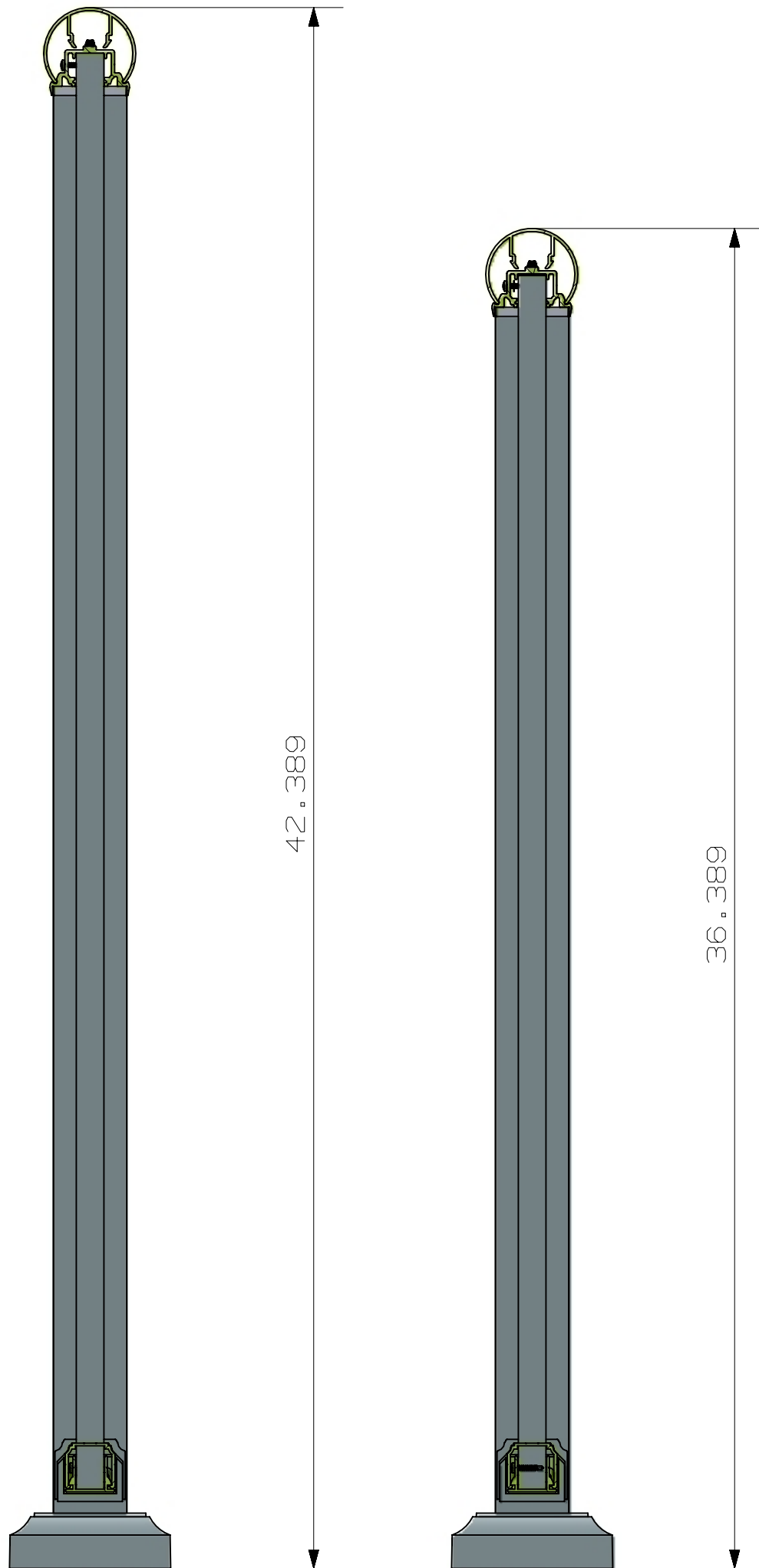


3D CAD MASTER PART NAME:

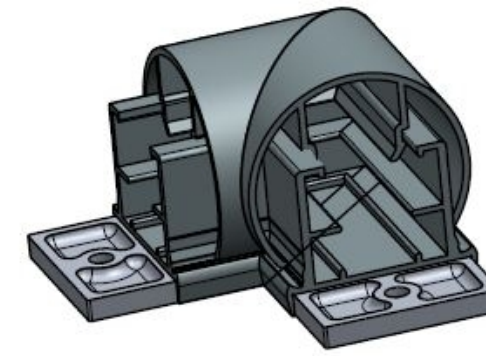
| | | | |
|--------------|--|--|-----------------------|
| | | ULTRA ALUMINUM MANUFACTURING, INC. 2124 GRAND COMMERCE DR. HOWELL, MI 48855 PHONE (800) 656-4420 | |
| FIRST ISSUED | | TITLE CONTINUOUS RAILING | |
| DRAWN BY | | MADISON TOP CAP | |
| CHECKED BY | | UARC-M200XX-XXXX-2RLS | |
| APPROVED BY | | REV 1 5-2-2018 | |
| | | SIZE DRG NO. | REV |
| | | C | UARC-M200XX-XXXX-2RLS |
| | | SCALE 1:1 | SHEET 1 OF 2 |



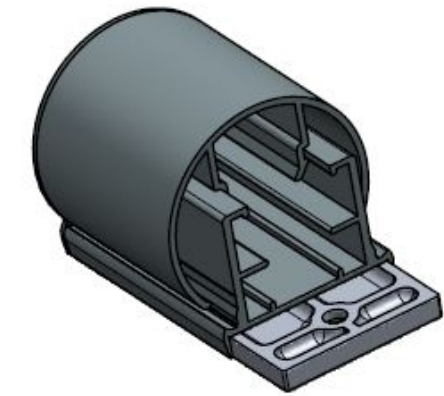
TOP CAP SOLD SEPARATELY
SOLD IN 12' 4" AND 24' 8" LENGTHS



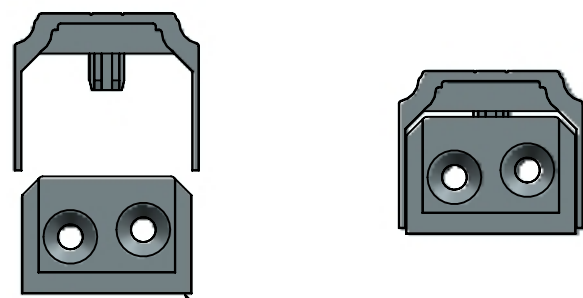
CONTINUOUS LINE PLATE



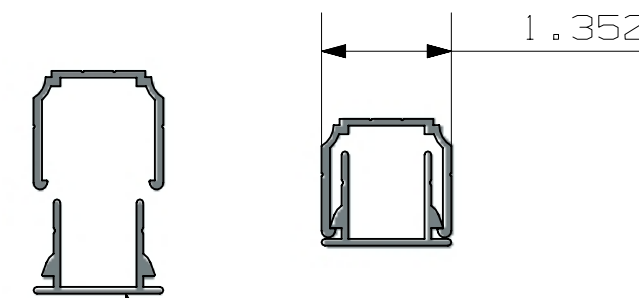
CONTINUOUS 90° PLATE
CONTINUOUS 90° CAP



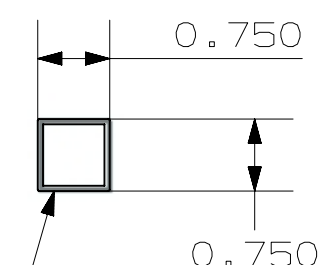
CONTINUOUS END PLATE
CONTINUOUS ENDCAP



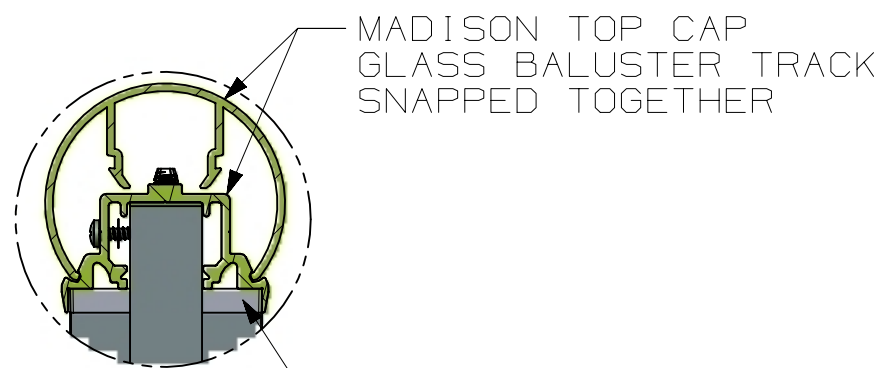
STD 2PC RAIL BRACKET



2 PC BOTTOM/MID RAIL

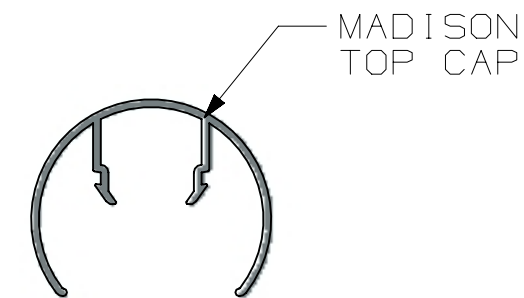


COMMERCIAL PICKET
.055" WALL

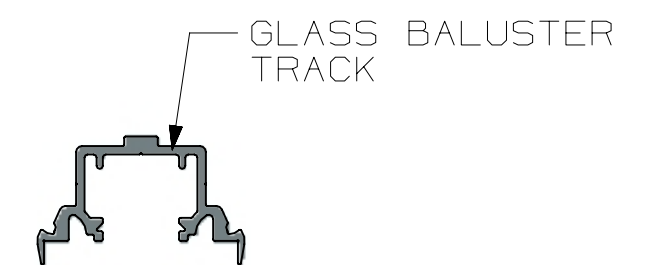


MADISON TOP CAP
GLASS BALUSTER TRACK
SNAPPED TOGETHER

CONNECTION PLATES



MADISON
TOP CAP



GLASS BALUSTER
TRACK

| PANEL SIZE | TOP RAIL LENGTH | BOTTOM RAIL LENGTH | PICKET LENGTH | NUMBER OF PICKETS |
|------------|-----------------|--------------------|---------------|-------------------|
| 36" X 4' | 50 3/16" | 47 11/16" | 33" | 10 |
| 36" X 5' | 63 9/16" | 61 1/16" | 33" | 13 |
| 36" X 6' | 72 1/2" | 70" | 33" | 15 |
| 42" X 4' | 50 3/16" | 47 11/16" | 39" | 10 |
| 42" X 5' | 63 9/16" | 61 1/16" | 39" | 13 |
| 42" X 6' | 72 1/2" | 70" | 39" | 15 |



ULTRA ALUMINUM MANUFACTURING, INC.
2124 GRAND COMMERCE DR. HOWELL, MI 48855
PHONE (800) 656-4420

FIRST ISSUED
DRAWN BY
CHECKED BY
APPROVED BY

TITLE CONTINUOUS RAILING
MADISON TOP CAP
UARC-M200XX-XXXX-2RLS
REV1 5-2-2018

SIZE/DRG NO. C UARC-M200XX-XXXX-2RLS REV

SCALE 1:1 SHEET 2 OF 2