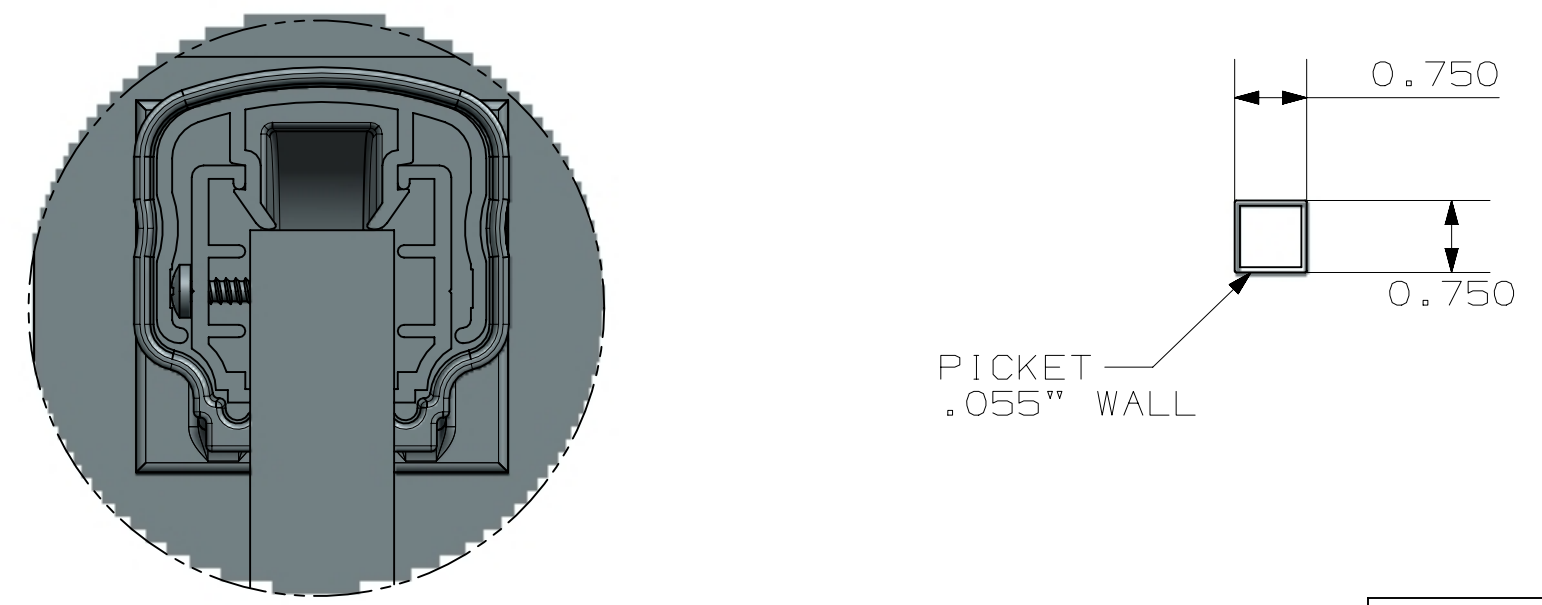
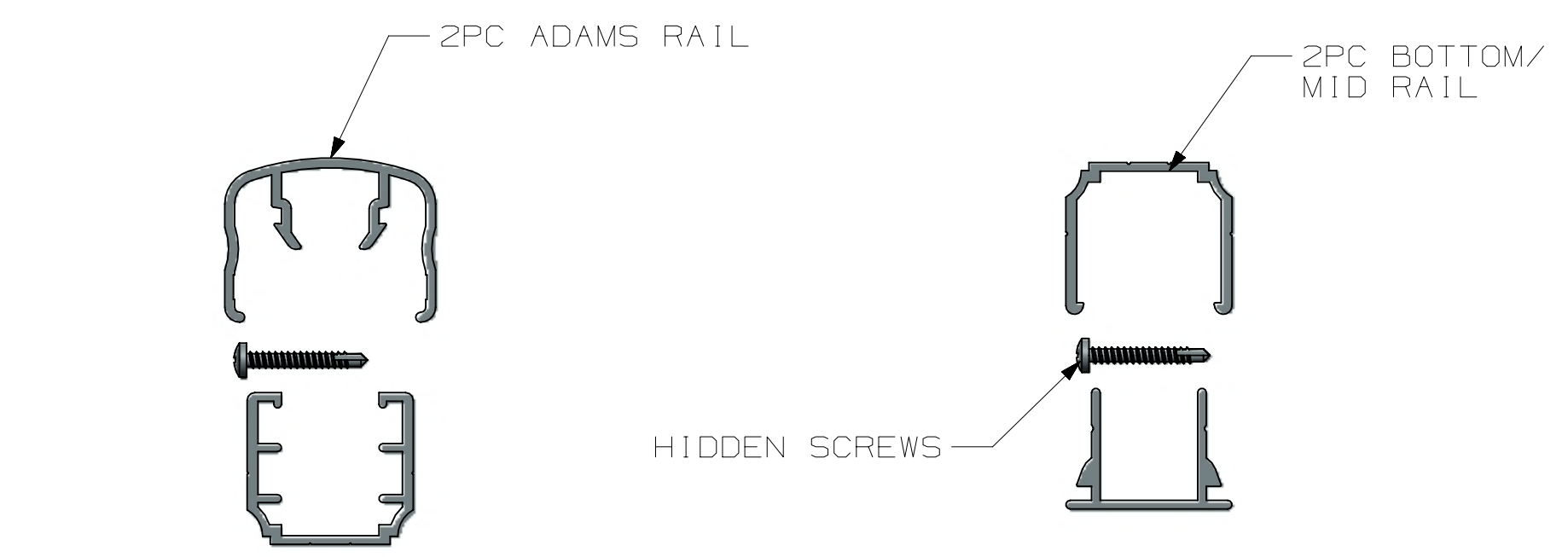
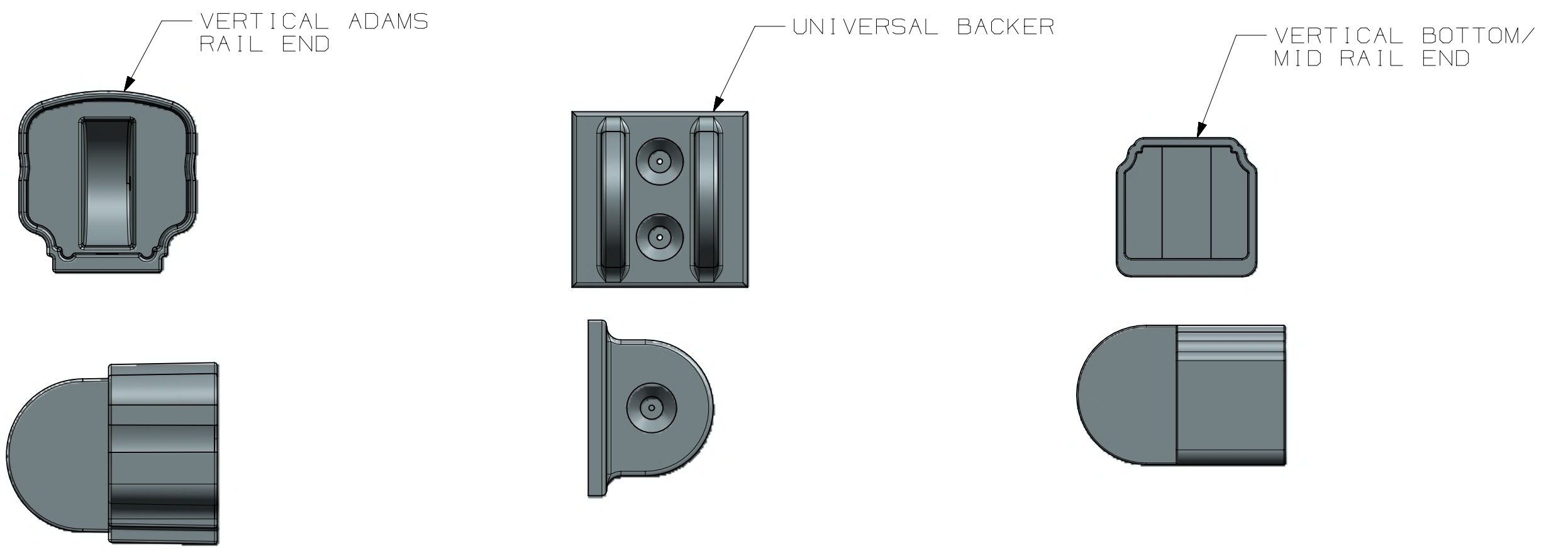
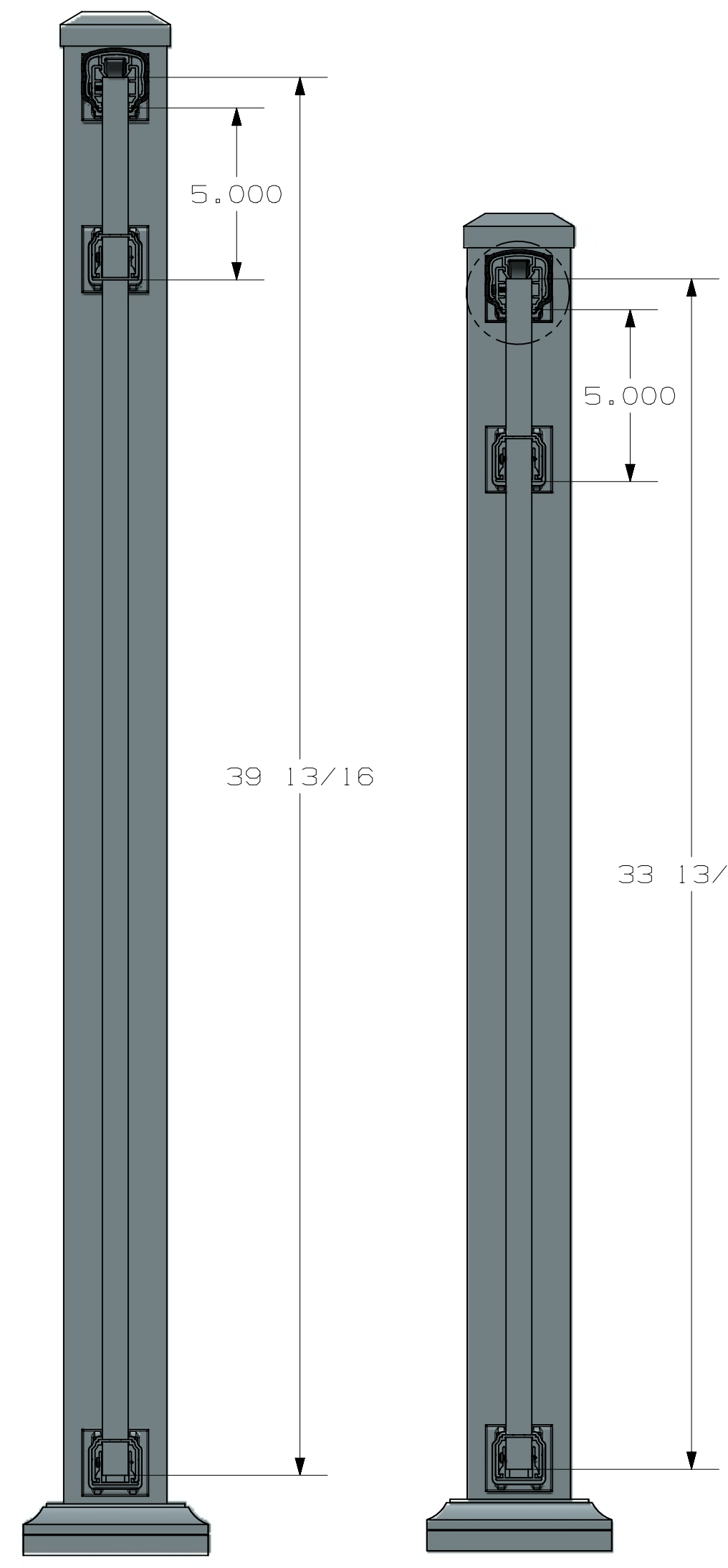
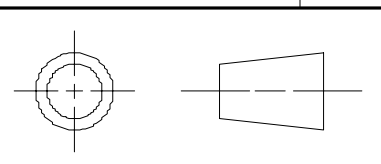


3D CAD MASTER PART NAME:

		ULTRA ALUMINUM MANUFACTURING, INC. 2124 GRAND COMMERCE DR. HOWELL, MI 48855 PHONE (800) 656-4420	
FIRST ISSUED		TITLE SIGNATURE STAIR RAILING	
DRAWN BY		ADAMS TOP RAIL	
CHECKED BY		UARXS-A220XX-XXXX-3RSS	
APPROVED BY		REV 1 1/22/2018	
		SIZE DRG NO. C UARXS-A220XX-XXXX-3RSS	REV <input checked="" type="checkbox"/>
		SCALE 1:1	SHEET 1 OF 2



PANEL SIZE	RAIL LENGTH	FULL SIZE PICKET HEIGHT	NUMBER OF FULL SIZE PICKETS	SHORT PICKET HEIGHT	NUMBER OF SHORT SIZE PICKETS
36" X 6"	70.00"	33 13/16"	7	28 13/16"	8
36" X 8"	96 3/4"	33 13/16"	10	28 13/16"	11
42" X 6"	70"	39 13/16"	7	34 13/16"	8
42" X 8"	96 3/4"	39 13/16"	10	34 13/16"	11

3D CAD MASTER PART NAME:

		ULTRA ALUMINUM MANUFACTURING, INC. 2124 GRAND COMMERCE DR. HOWELL, MI 48855 PHONE (800) 656-4420	
FIRST ISSUED		TITLE	
DRAWN BY		SIGNATURE STAIR RAILING	
CHECKED BY		ADAMS TOP RAIL	
APPROVED BY		UARXS-A220XX-XXXX-3RSS	
		REV 1 1/22/2018	
		SIZE	DRG NO.
		C	UARXS-A220XX-XXXX-3RSS
		SCALE 1:1	SHEET 2 OF 2