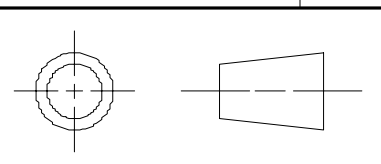
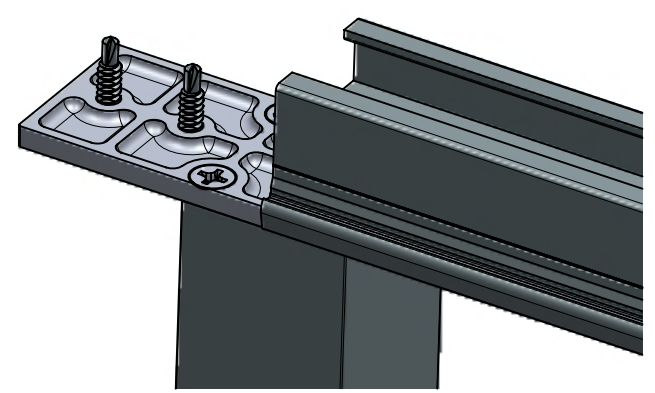
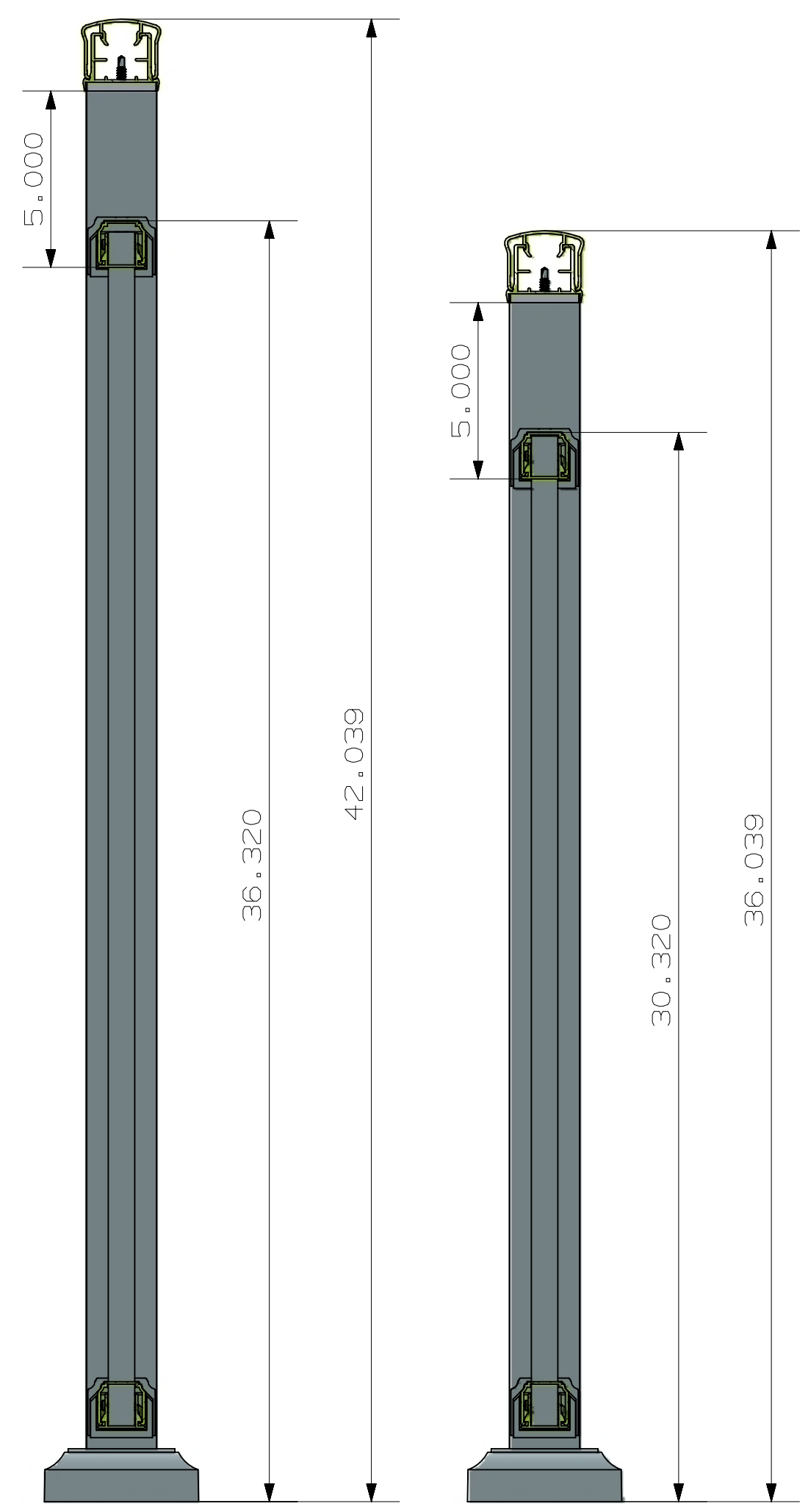


3D CAD MASTER PART NAME:

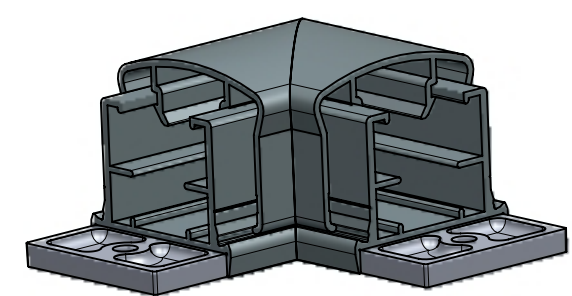
		ULTRA ALUMINUM MANUFACTURING, INC. 2124 GRAND COMMERCE DR. HOWELL, MI 48855 PHONE (800) 656-4420	
FIRST ISSUED		TITLE CONTINUOUS RAILING	
DRAWN BY		FRANKLIN TOP CAP	
CHECKED BY		UARC-270-3R	
APPROVED BY		PRELIMINARY 2-23-2018	
		SIZE DRG NO.	REV
		C	UARC-F270XX-XXXX-3R <input checked="" type="checkbox"/>
		SCALE 1:1	SHEET 1 OF 2



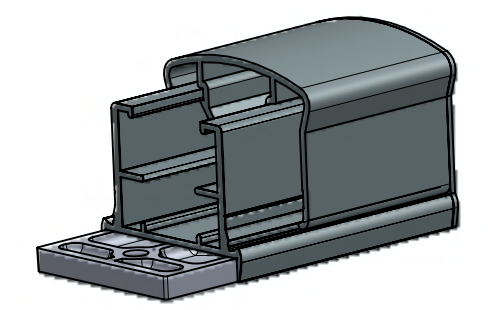
148.000
TOP CAP SOLD SEPARATELY
SOLD IN 12' 4" AND 24' 8" LENGTHS



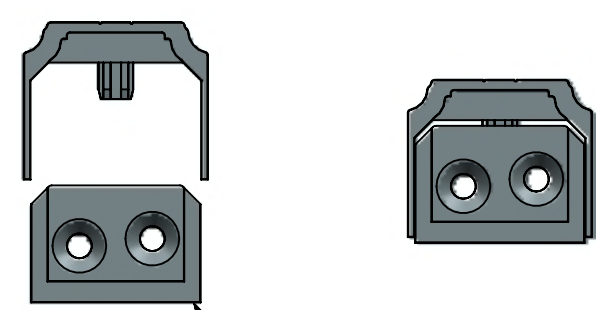
CONTINUOUS LINE PLATE



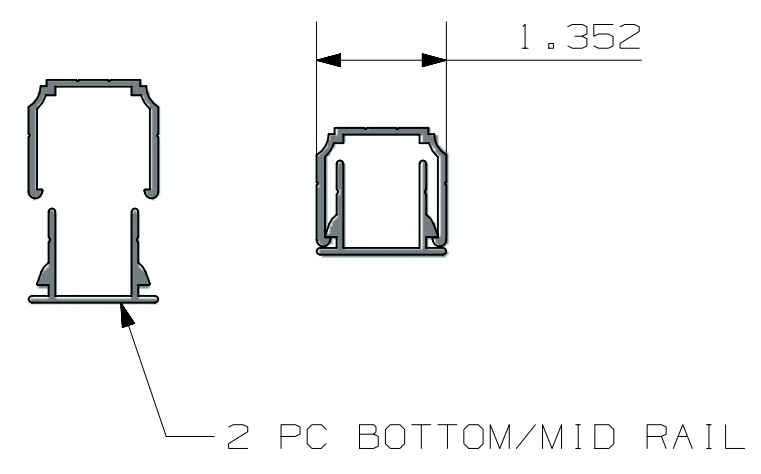
CONTINUOUS 90° PLATE
CONTINUOUS 90° CAP



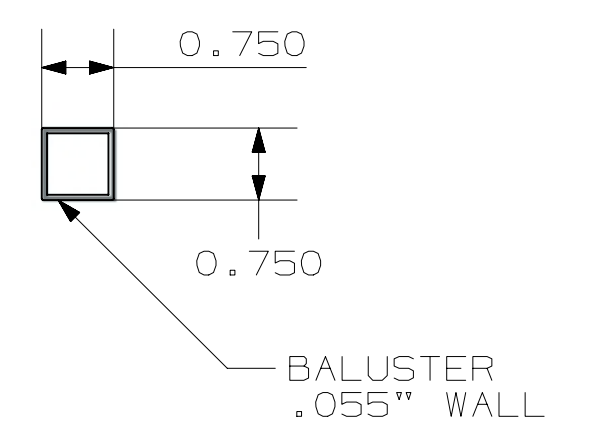
CONTINUOUS END PLATE
CONTINUOUS ENDCAP



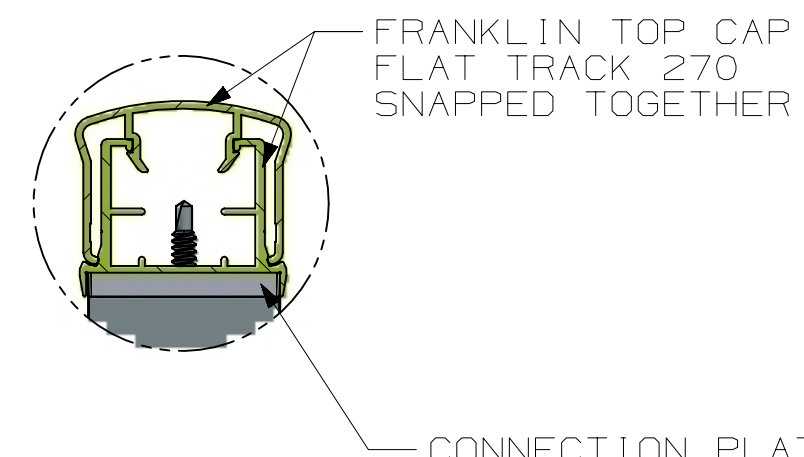
STD 2PC RAIL BRACKET



2 PC BOTTOM/MID RAIL

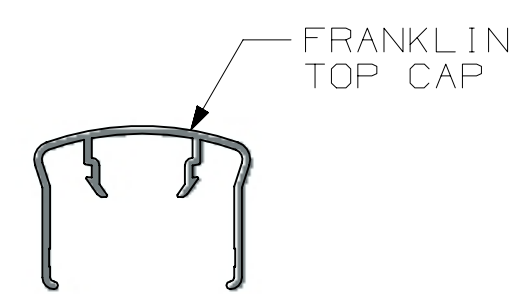


BALUSTER
.055" WALL

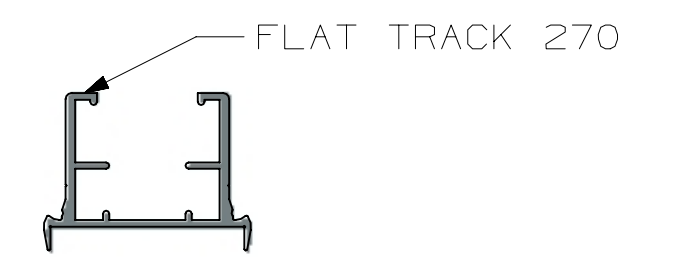


FRANKLIN TOP CAP
FLAT TRACK 270
SNAPPED TOGETHER

CONNECTION PLATES



FRANKLIN
TOP CAP



FLAT TRACK 270

PANEL SIZE	TOP RAIL LENGTH	BOTTOM RAIL LENGTH	SHORT PICKET LENGTH	NUMBER OF SHORT SIZE PICKETS
36" X 4'	50 3/16"	47 11/16"	27 13/16"	10
36" X 5'	63 9/16"	61 1/16"	27 13/16"	13
36" X 6'	72 1/2"	70"	27 13/16"	15
42" X 4'	50 3/16"	47 11/16"	33 13/16"	10
42" X 5'	63 9/16"	61 1/16"	33 13/16"	13
42" X 6'	72 1/2"	70"	33 13/16"	15

		ULTRA ALUMINUM MANUFACTURING, INC. 2124 GRAND COMMERCE DR. HOWELL, MI 48855 PHONE (800) 656-4420	
FIRST ISSUED		TITLE	CONTINUOUS RAILING FRANKLIN TOP CAP UARC-270-3R REV 1 3-5-2018
DRAWN BY		SIZE/DRG NO.	C UARC-F270XX-XXXX-3R
CHECKED BY		SCALE	1:1
APPROVED BY		REV	SHEET 2 OF 2