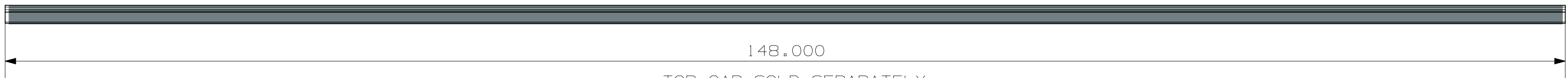
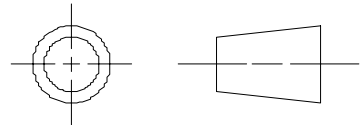
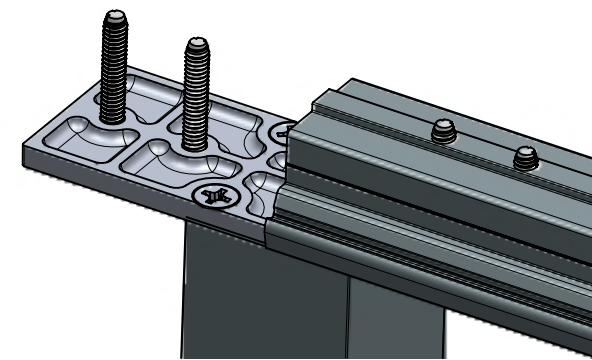
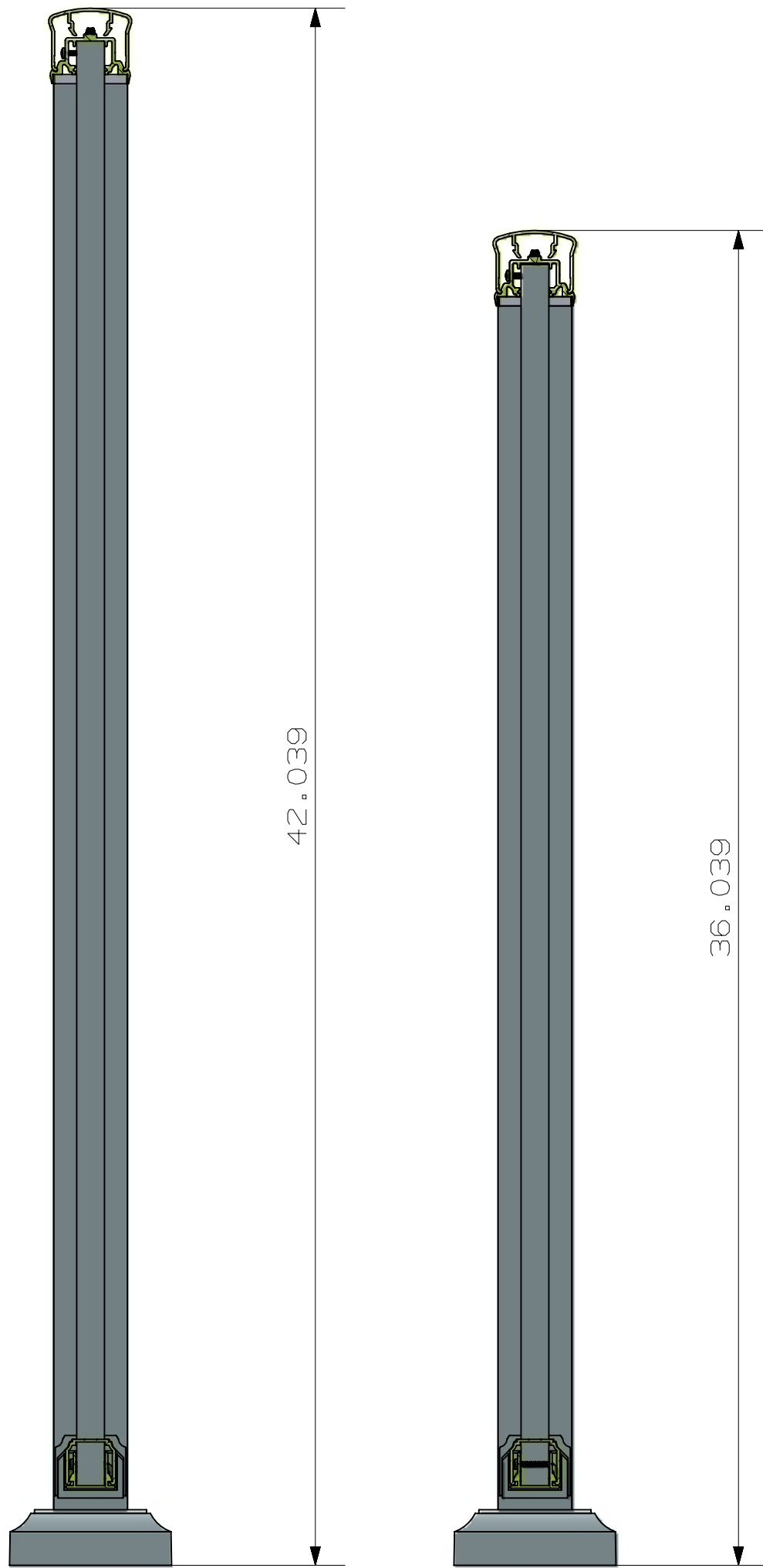


3D CAD MASTER PART NAME:

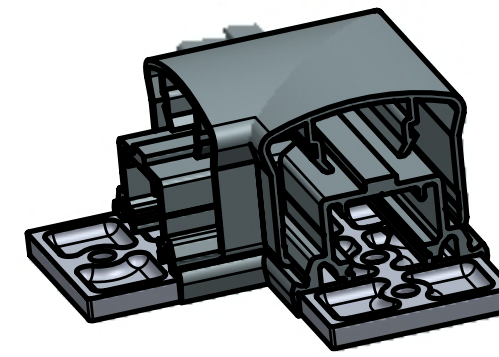
		ULTRA ALUMINUM MANUFACTURING, INC. 2124 GRAND COMMERCE DR. HOWELL, MI 48855 PHONE (800) 656-4420	
FIRST ISSUED		TITLE CONTINUOUS RAILING	
DRAWN BY		FRANKLIN TOP CAP	
CHECKED BY		UARC-F200XX-XXXX-2RLS	
APPROVED BY		REV 1 3-14-2018	
		SIZE DRG NO.	REV
		C	UARC-F200XX-XXXX-2RLS <input checked="" type="checkbox"/>
		SCALE 1:1	SHEET 1 OF 2



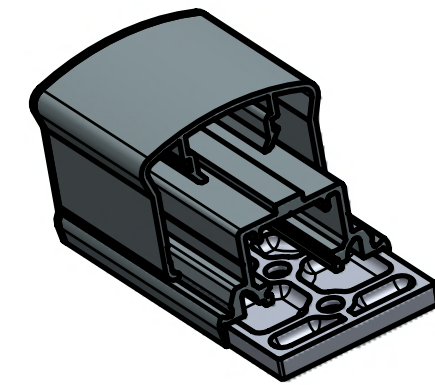
TOP CAP SOLD SEPARATELY
SOLD IN 12' 4" AND 24' 8" LENGTHS



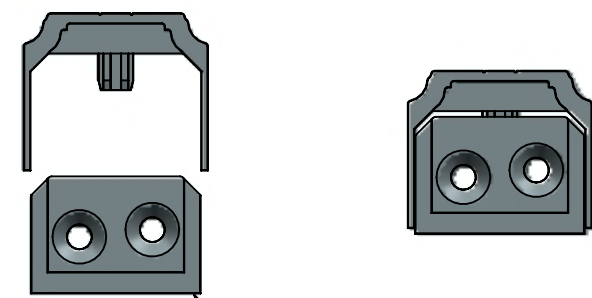
CONTINUOUS LINE PLATE



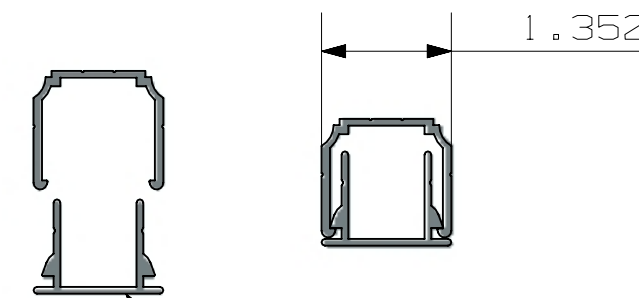
CONTINUOUS 90° PLATE
CONTINUOUS 90° CAP



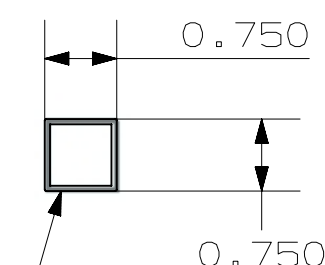
CONTINUOUS END PLATE
CONTINUOUS ENDCAP



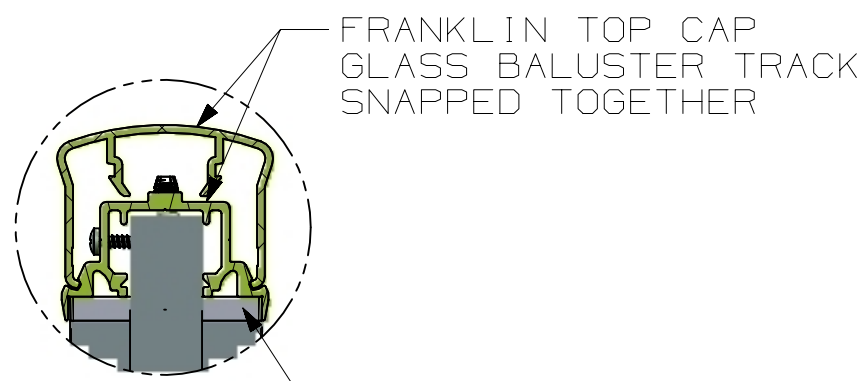
STD 2PC RAIL BRACKET



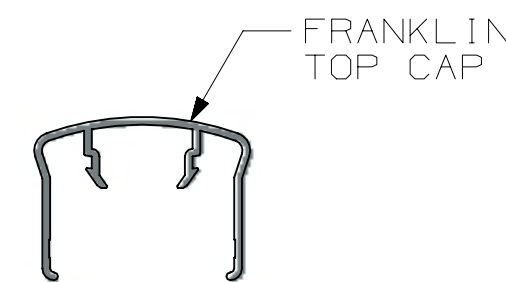
2 PC BOTTOM RAIL



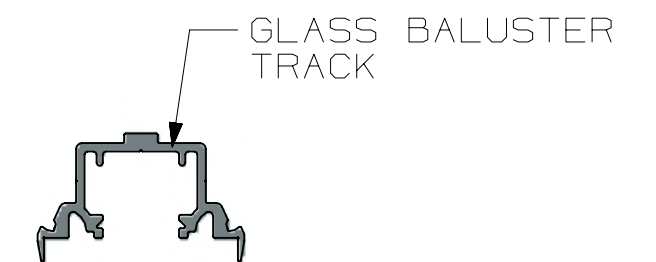
COMMERCIAL PICKET
.055" WALL



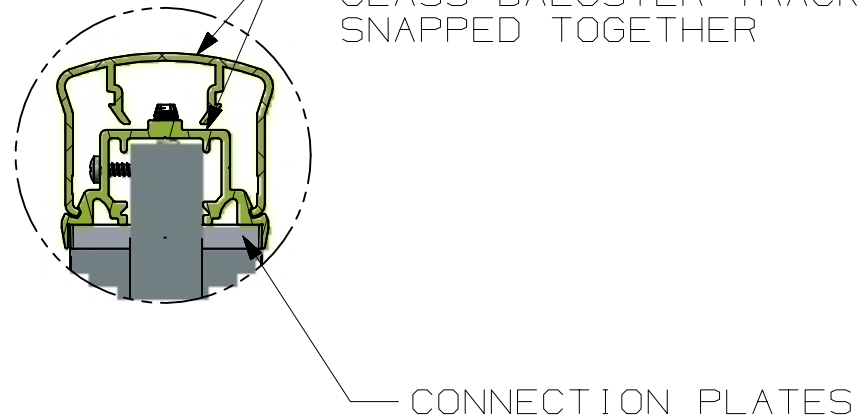
FRANKLIN TOP CAP
GLASS BALUSTER TRACK
SNAPPED TOGETHER



FRANKLIN
TOP CAP



GLASS BALUSTER
TRACK



CONNECTION PLATES

PANEL SIZE	TOP RAIL LENGTH	BOTTOM RAIL LENGTH	PICKET LENGTH	NUMBER OF PICKETS
36" X 4'	50 3/16"	47 11/16"	33"	10
36" X 5'	63 9/16"	61 1/16"	33"	13
36" X 6'	72 1/2"	70"	33"	15
42" X 4'	50 3/16"	47 11/16"	39"	10
42" X 5'	63 9/16"	61 1/16"	39"	13
42" X 6'	72 1/2"	70"	39"	15



ULTRA ALUMINUM MANUFACTURING, INC.
2124 GRAND COMMERCE DR. HOWELL, MI 48855
PHONE (800) 656-4420

FIRST ISSUED
DRAWN BY
CHECKED BY
APPROVED BY

TITLE CONTINUOUS RAILING
FRANKLIN TOP CAP
UARC-F200XX-XXXX-2RLS
REV 1 3-14-2018

SIZE/DRG NO. C UARC-F200XX-XXXX-2RLS REV
SCALE 1:1 SHEET 2 OF 2